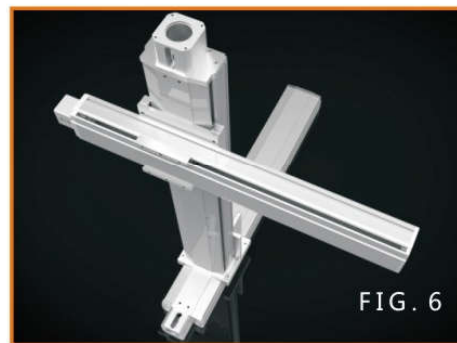
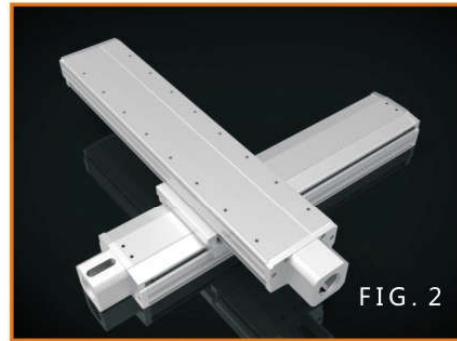
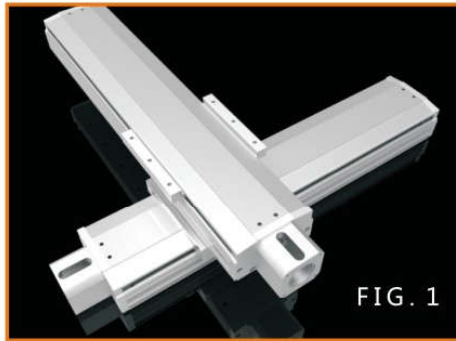


Combination Styles Of Robots >>>>

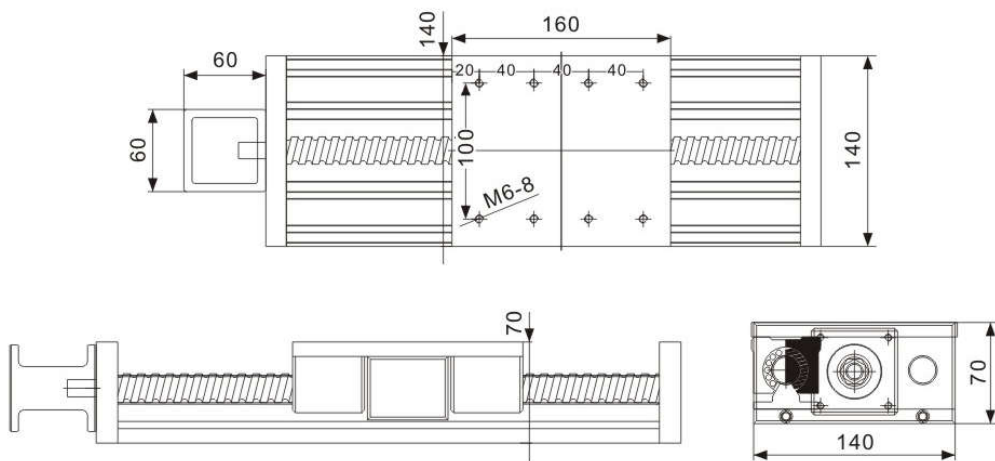
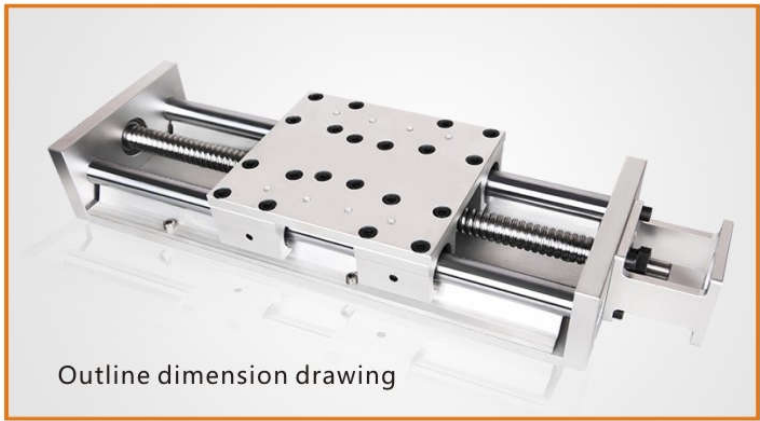
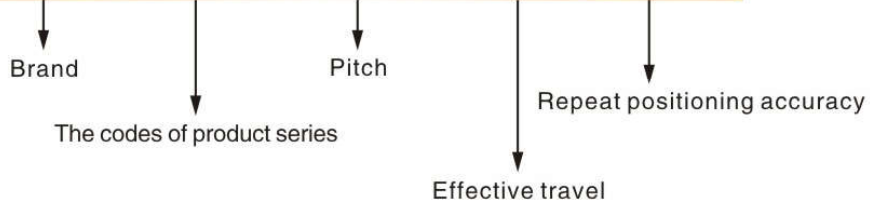




YR140GS Single-Axis robot--Ball screw Sliding table

Technology Parameter

YR - 140GS - P 10 - L 100 - C 7

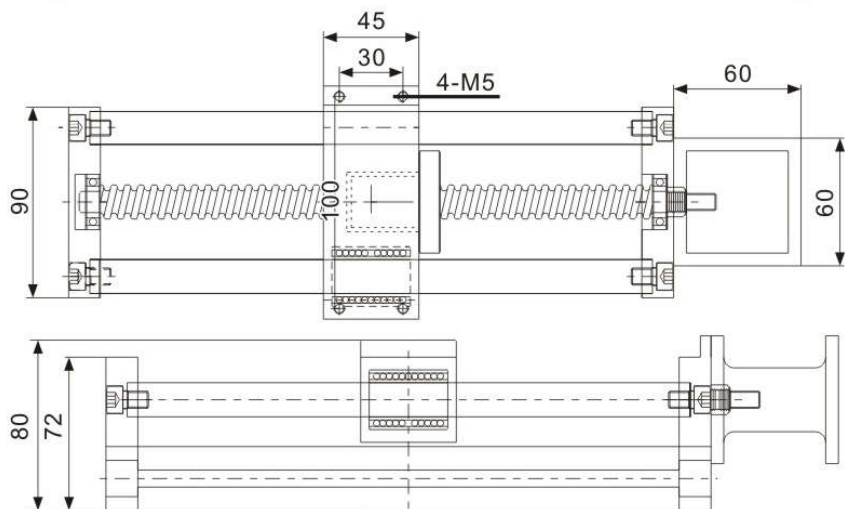
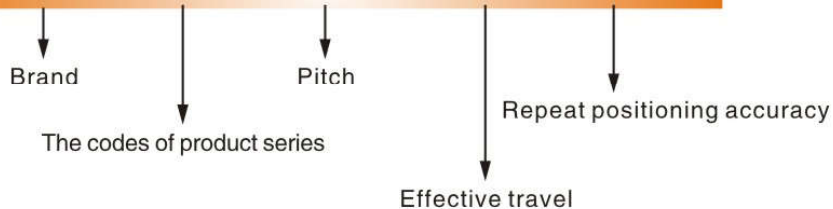


140GS standard unit ( mm )				
Effective stroke	100	200	2000	Note: this length corresponding our company standard motor base size. If you have special demands for the motor, the length will be relatively longer.
Overall Length	350	450	2250	

YR90G Single-Axis robot--Ball screw Sliding table

Technology Parameter

YR - 90G - P10 - L100 - C7



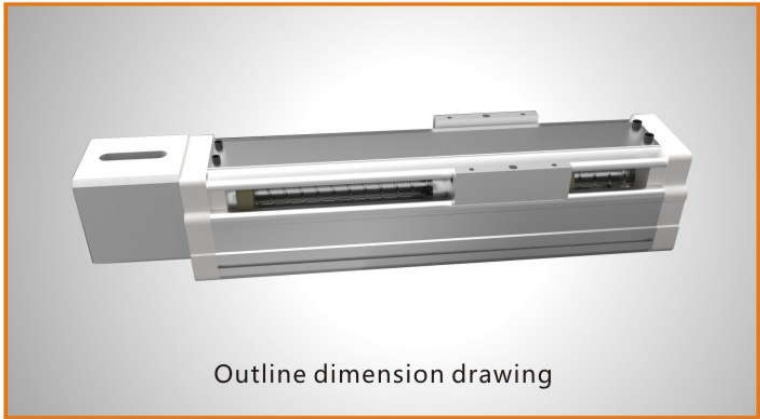
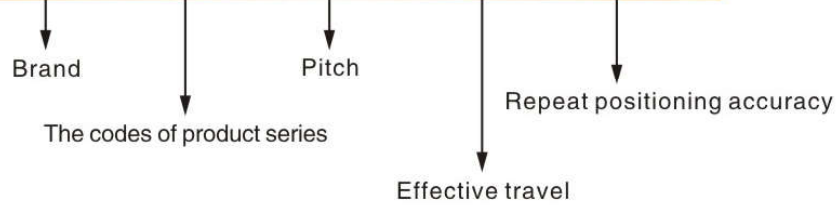
90G standard unit ( mm )			
Effective stroke	100	150	200
Overall Length	260	310	360



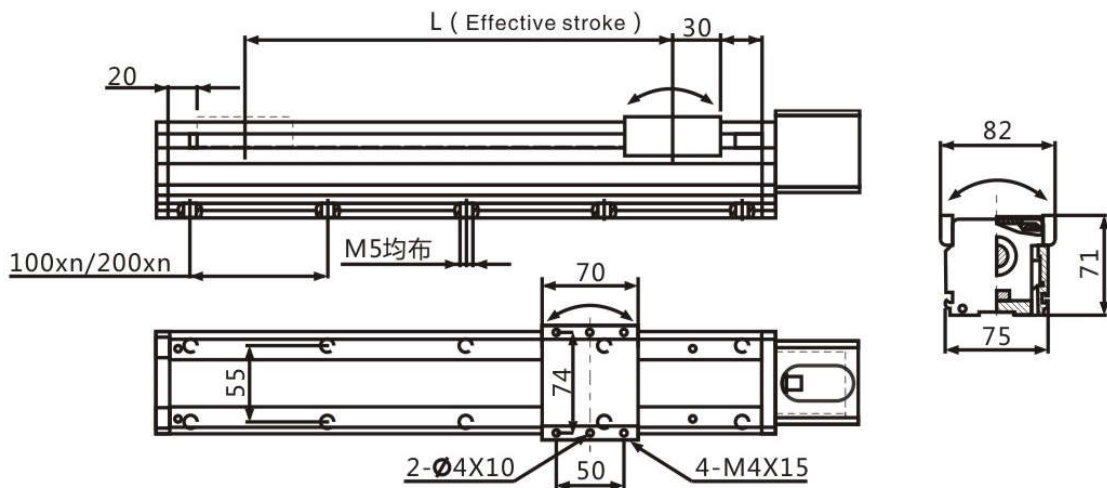
YR75S Single-Axis robot  
 --Ball screw type series with half dust protection

Technology Parameter

YR - 75S - P10 - L100 - C7



Outline dimension drawing



75S standard unit ( mm )			
Effective stroke	100	150	200
Overall Length	370	420	470

**YR95S Single-Axis robot**  
**--Ball screw type series with half dust protection**

**Technology Parameter**

**YR-95S-P10-L200-C7**

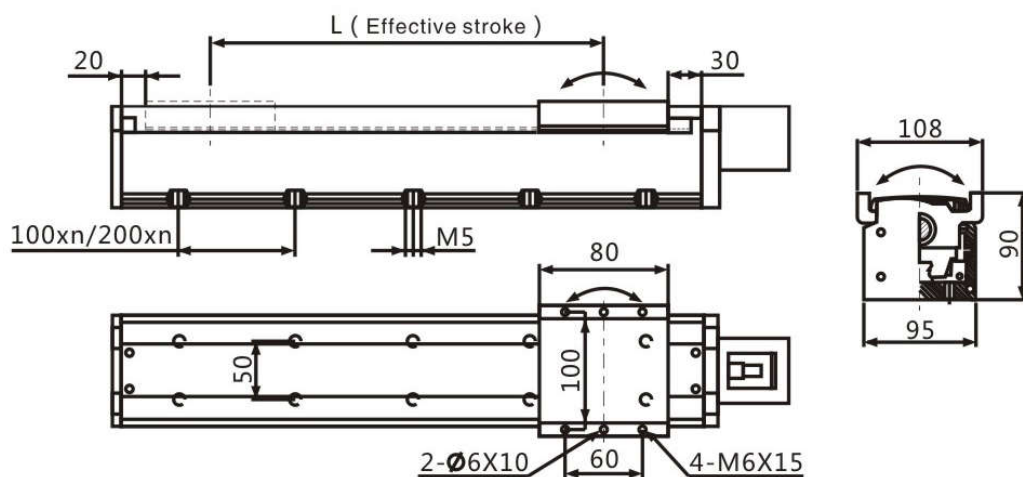
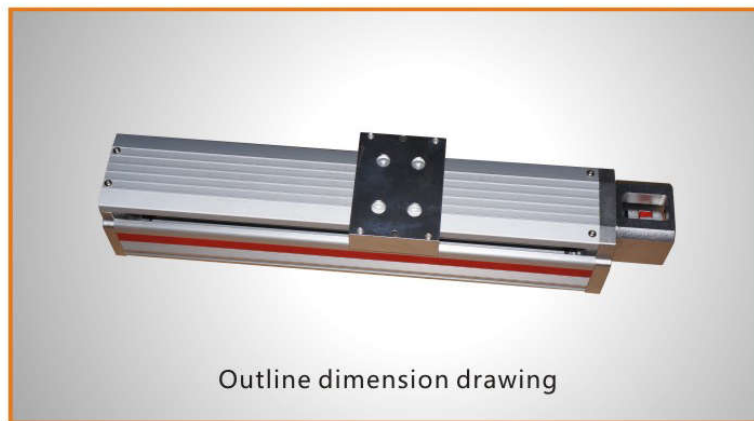
Brand

The codes of product series

Pitch

Effective travel

Repeat positioning accuracy



95S standard unit ( mm )

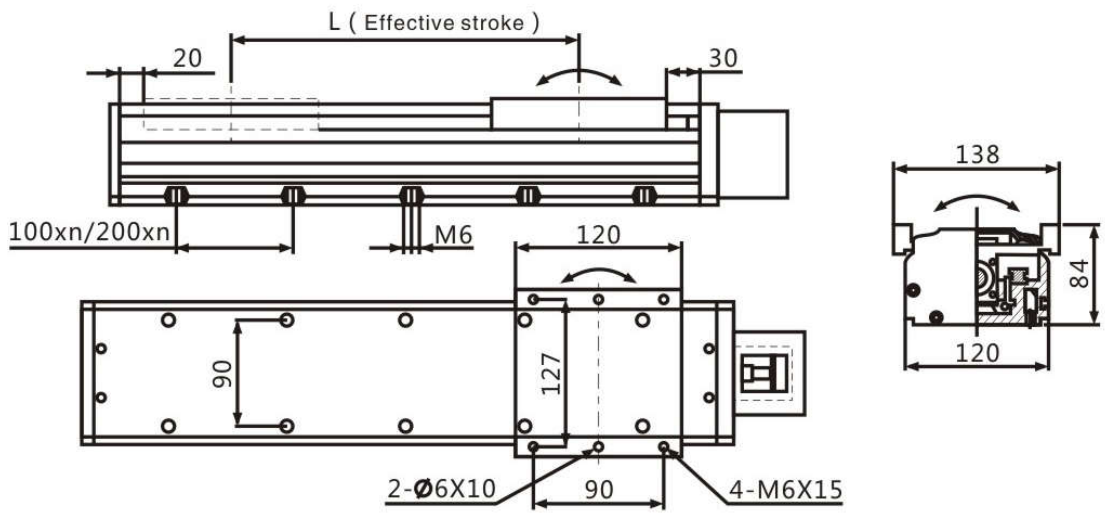
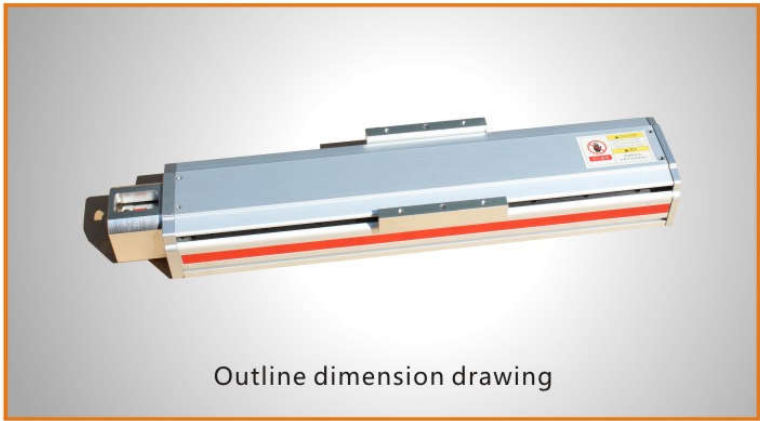
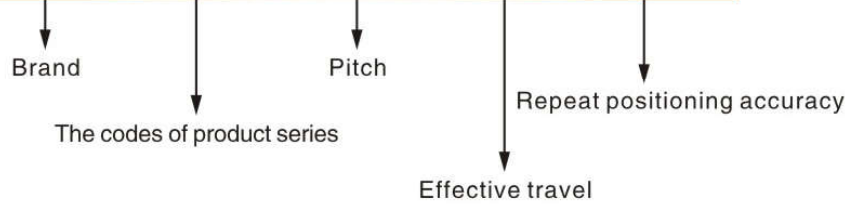
	250	350	450	550
Effective stroke	250	350	450	550
Overall Length	535	635	735	835



YR120S Single-Axis robot  
 --Ball screw type series with half dust protection

Technology Parameter

YR - 120S - P10 - L300 - C7

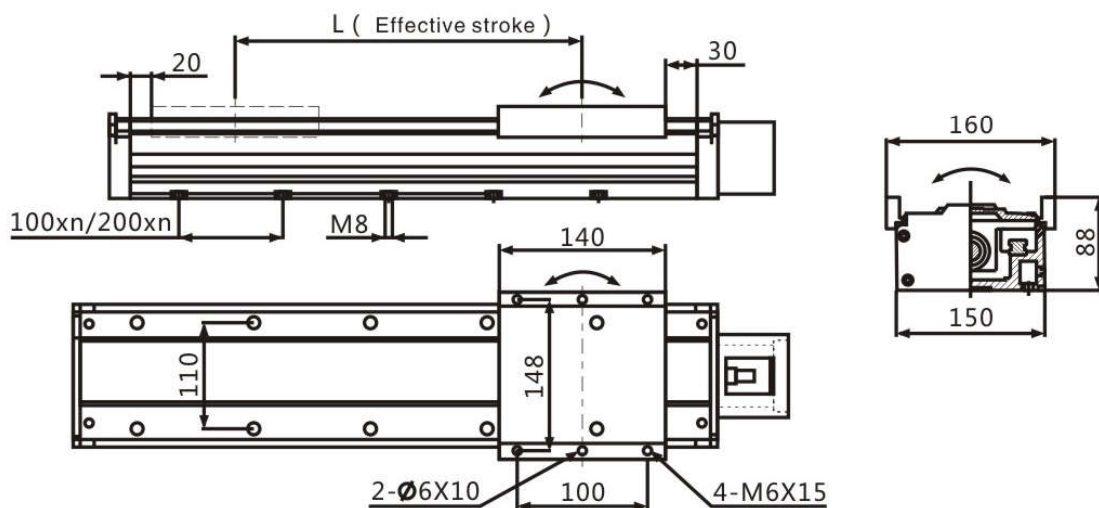
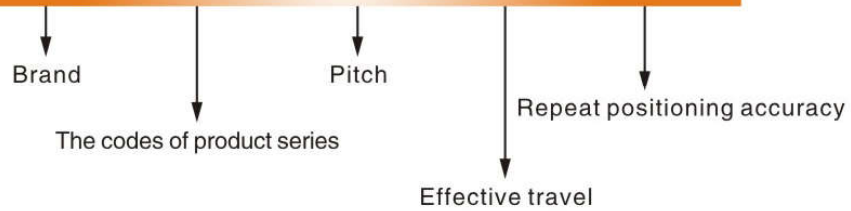


120S standard unit ( mm )				
Effective stroke	300	400	500	600
Overall Length	645	745	845	945

YR150S Single-Axis robot  
 --Ball screw type series with half dust protection

Technology Parameter

YR - 150S - P10 - L400 - C7



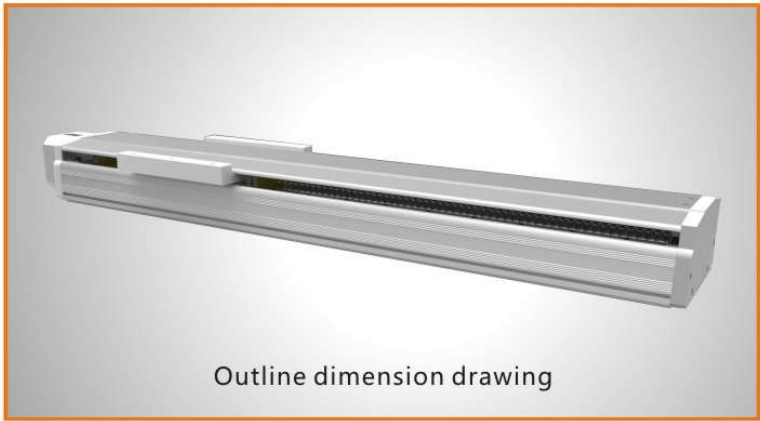
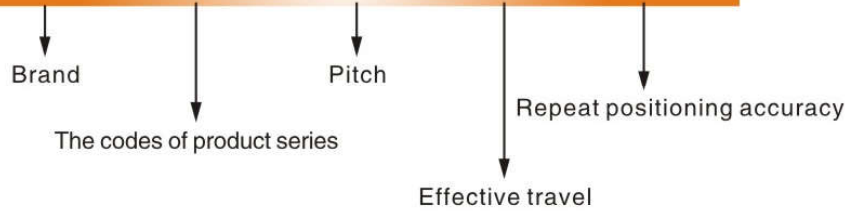
150S standard unit ( mm )				
Effective stroke	450	550	650	750
Overall Length	820	920	1020	1625



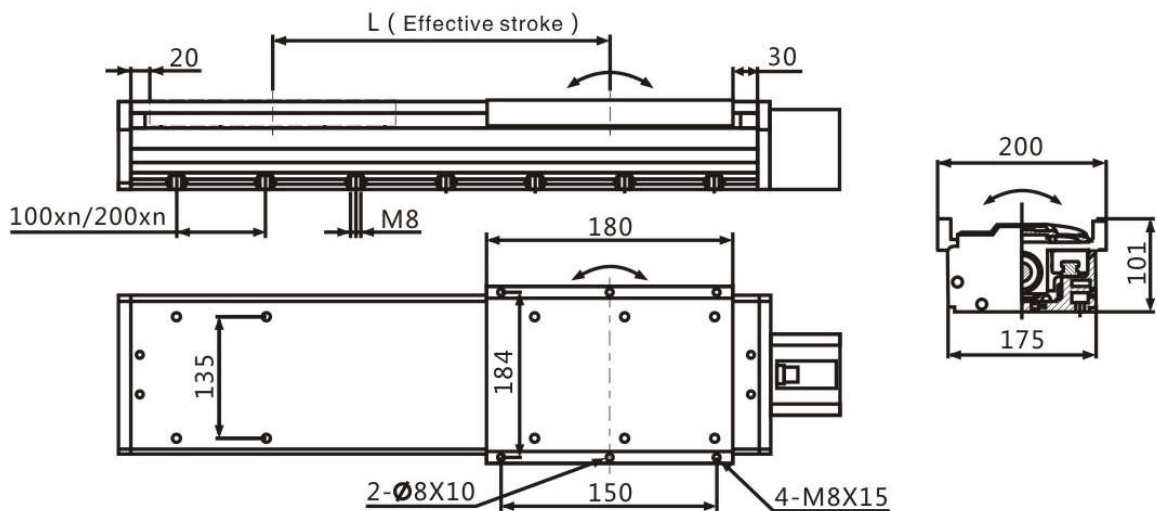
YR175S Single-Axis robot  
 --Ball screw type series with half dust protection

Technology Parameter

YR - 175S - P10 - L500 - C7



Outline dimension drawing



175S standard unit ( mm )

Effective stroke	500	600	800	1000	1200
Overall Length	940	1040	1240	1440	1640